

# Hanging Accessories

by TCP

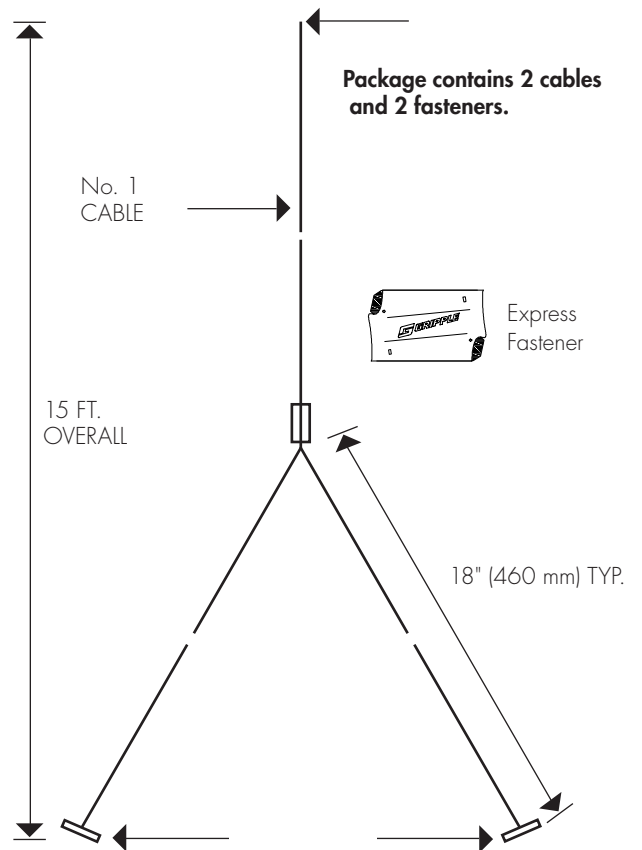
YTGHANGER

## Applications

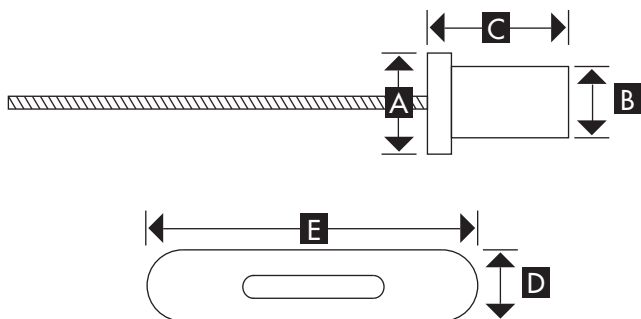
The YTGHANGER is a Y-Hanger with toggle plates and crimped end caps. It is meant for indoor applications where an easy-to-install cable hanger is needed to mount a luminaire. The YTGHANGER is NOT suitable for use in chlorinated / swimming pool environments.

## Features

- Toggle fits through 5/16" diameter hole size
- Galvanized high tensile steel cable to EN12385
- 15 foot overall length
- Zinc plated steel toggle
- ROHS compliant
- Cable Diameter (in.): 1.16
- Strand configuration: 7x7
- Min. breaking load (lbs): 125
- Max. safe working load (lbs): 25
- Tensile strength (lbs/sq. in.): 256,700



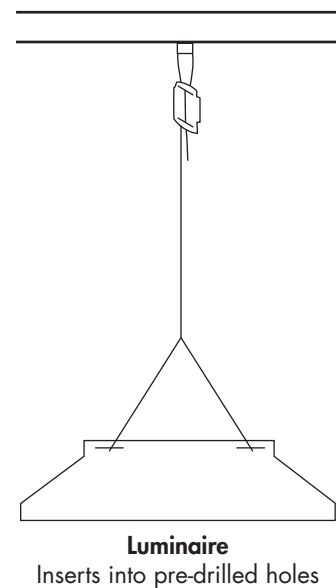
## Dimensions



Size	A (in.)	B (in.)	C (in.)	D (in.)	E (in.)
	1/4"	5/32"	5/16"	7/32"	1 - 9/16"

## Application Examples

Angle between legs of 'Y' not to exceed 60°.



Specifications and dimensions subject to change without notice.