

## IMPORTANT SAFETY INSTRUCTIONS

**CAUTION - RISK OF FIRE** - IF THE LAMP OR LUMINAIRE EXHIBITS UNDESIRABLE OPERATION (BUZZING, FLICKERING, ETC.), IMMEDIATELY TURN OFF POWER, REMOVE LAMP FROM LUMINAIRE AND CONTACT MANUFACTURER.

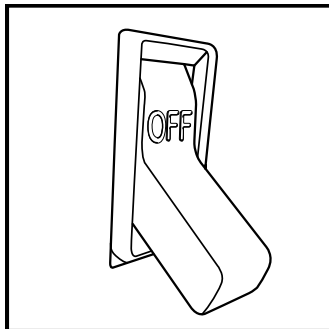
THIS LAMP ONLY OPERATES ON ELECTRONIC BALLASTS. IF LAMP DOES NOT LIGHT WHEN THE LUMINAIRE IS ENERGIZED, REMOVE LAMP FROM LUMINAIRE AND CONTACT LAMP MANUFACTURER OR QUALIFIED ELECTRICIAN. THIS DEVICE IS NOT INTENDED FOR USE WITH EMERGENCY EXITS OR EMERGENCY LIGHTING.

Suitable for damp locations. Enclosed fixture required for outdoor use.

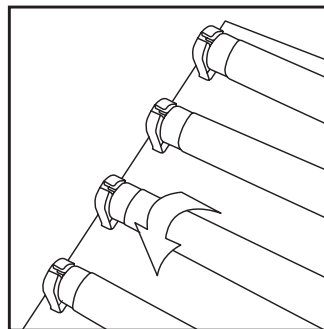
**CAUTION:** Discontinue use if damaged. Turn power off before installation or removal.

**5 YEAR LIMITED WARRANTY:** Return of defective product and receipt required for warranty claims. Duration of Limited Warranty voided for misuse of product per caution statement. For complete Limited Warranty details visit [www.tcpi.com/warranties](http://www.tcpi.com/warranties)

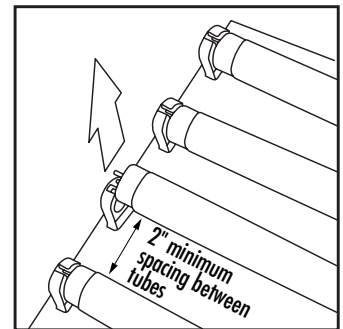
### Installation Guide



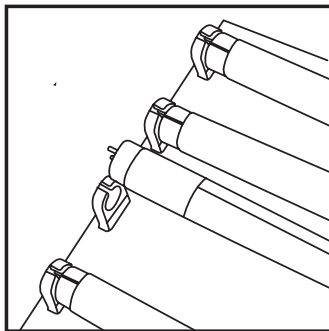
- 1** Switch OFF Power to the luminaire. If luminaire is equipped with a diffuser, remove at this time.



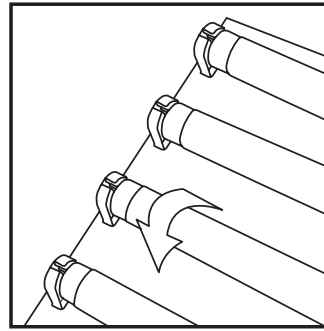
- 2** Twist fluorescent tube until slots are visible.



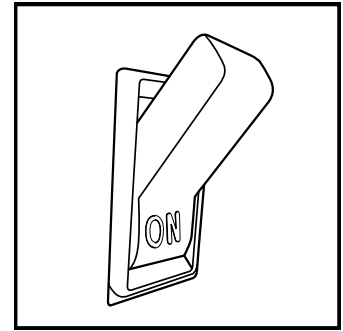
- 3** Pull fluorescent down to remove tube.



- 4** Line up both ends of T5 lamp into slots.



- 5** Twist T5 lamp to secure until resistance is met. Make sure light emitting side is facing out. Replace all lamps. Replace diffuser if needed.



- 6** Switch ON power to test.